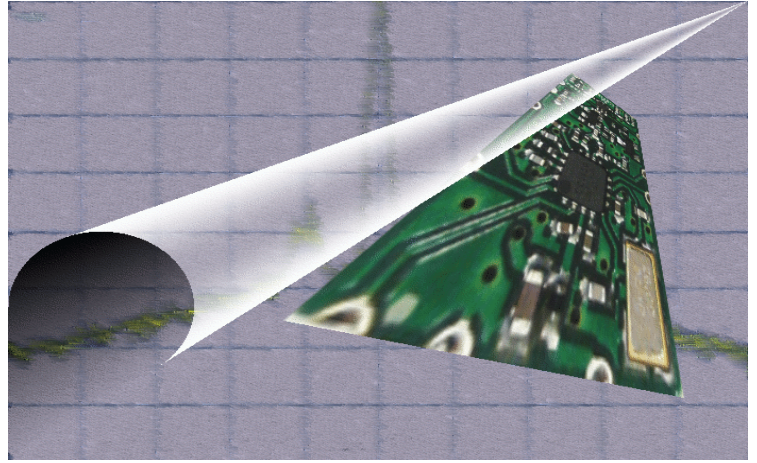




Your best partner
for embedded
RF design



BIT48TX-PA

Double Frequency Transmitter Modules with PA

Very low cost transmitter module designed for dual band - 433 & 868 MHz applications in a very small package (13x23 mm)

Highly Integrated RF solution

The **BIT48TX-PA** transmitter modules is a very small complete and compact RF solutions.

The product is available for RF applications in the 433, 868 MHz unlicensed ISM(Industrial, Scientific and Medical) and SRD (Short Range Device) frequency bands.

BIT48TX-PA is ideal solution for home and building automation, control system, sensor networks, etc.

Module can be PTH or SMT assembled.

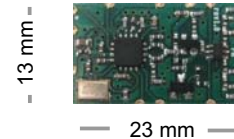
Lead-free “green package.

With only 13x23 **mm footprint** the modules provide a real **cost-effective** wireless solution.

No additional components are needed, except for two simple antenna and a microcontroller with only 6 pins plus 1 optional

All the operating parameters are fully configurable via an SPI interface: RF data-rate, output power, operating channel, packet length, etc.

BIT48TX-PA suited for system compliant with EN 300 220 (Europe) and FCC CFR Part 15 (US).



Configuration Software

BIT48TX-PA can be configured using the SmartRF® Studio software , available for download from <http://www.chipcon.com> or <http://www.ti.com/lpw>.

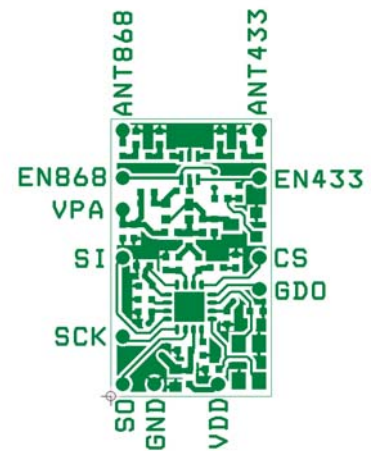
The SmartRF® Studio software is highly recommended for obtaining optimum register settings, and for evaluating performance and functionality.

Should you need any other information or customization don't hesitate to call us.

Features

- True single module complete RF solution
- Small size (13x23 mm)
- Programmable output power up to + 18 dBm
- Low current consumption
TX:55 mA @ 18 dbm output power)
- 1.8 - 3.6 V Power Supply for digital logic
- 1.8 - 12 V Power Supply for Output stage
- -40°C to +85°C operating temperature
- RF Data Rate up to 500 kbps
- Custom solutions on request

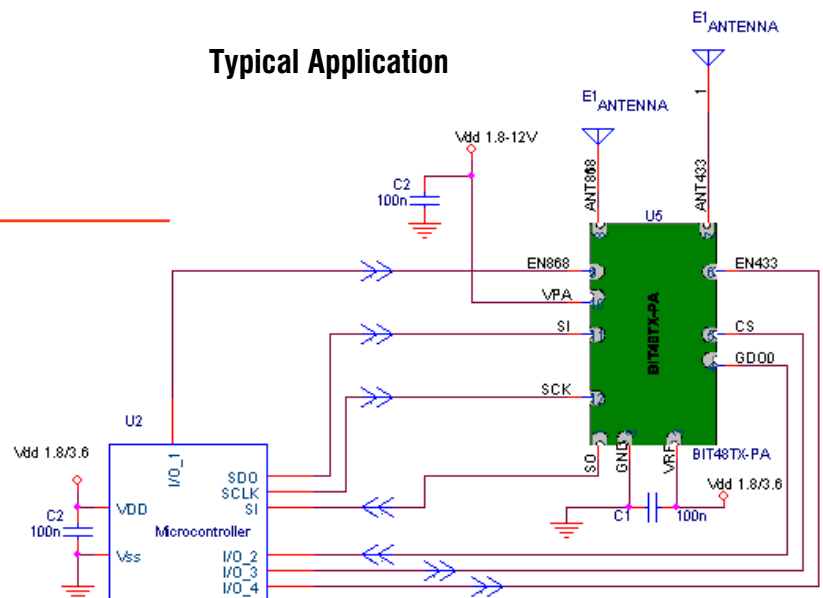
Pin-Out



Applications

- Alarm and security systems
- Home and building automation
- Wireless sensor networks
- Telemetry Station
- Wireless audio
- OEM equipment

Typical Application



Operating Conditions and Specifications

Parameter	Min.	Typ.	Max.	Units	Remarks
RF Frequency Range	400.0		464.0	MHz	
	864.0		928.0	MHz	
Operation temperature	-40		+85	°C	
Supply voltage Vdd	1.8		3.6	V	
Supply voltage VPA	1.8		12	V	
Max Output Power		14		dbm	VPA = 3V
			18	dbm	VPA = 12V
Current Consumption		1		uA	Power Down
		55		mA	Transmit mode @ max output power

